



■ **3CC-B Pig**  
2" to 14"



■ **3D2CC-BR PIG**

## Description

VANTAGE®+ Pigs are multi-use pigs. Two basic body combinations are designed to meet most pigging applications. The basic unit serves as a batching, displacement or cleaning pig.

The VANTAGE+ Pig is lightweight, easy to assemble and maintain. The one-piece, molded-design body is economical, durable and provides long service. The cup and disc configuration is flexible enough to traverse 20 percent reductions in the pipe, due to buckles, dents, or flattening. Recommended operating temperature is -20°F to 200°F.

TDW recommends brush cleaning pigs for removing hard, internal pipe deposits such as mill scale, crust, and calcium deposits. Blade cleaning pigs are recommended for thick, soft, internal deposits such as wax, paraffin, sludge, and mud.

## Features

VANTAGE+ Pigs are made of liquid-cast urethane, a high-strength, tough elastomer. Advantages of urethane include minimum swelling, exceptional resistance to hydrocarbons, light weight, reduced blistering, and increased abrasion resistance. TDW steel wire brushes, designed to remove hard deposits, are made from high-carbon, tempered steel.

The VANTAGE+ is offered in the 2CC, 3CC or 3D2CC configurations. The 2CC and 3D2CC may be converted to Brush or Blade cleaning pigs in sizes 10" and larger.

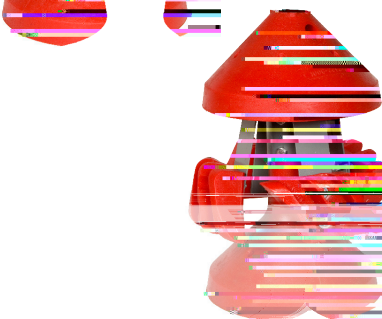
## Options

VANTAGE+ 3CC Pigs are available in sizes 2" (50 mm) to 14" (350 mm). The 3D2CC Pigs are offered in sizes 4" (100 mm) to 14" (350 mm). The 10" (250 mm) to 14" (350 mm) VANTAGE+ Cleaning Pigs offer spring-loaded, wear-compensating cleaning elements. This size range may be equipped with steel wire brush or urethane blade cleaning elements.

To help you obtain the proper pig for your application, check to see if the selection is capable of traversing your particular pipeline components (bends, valves, tees, etc.).



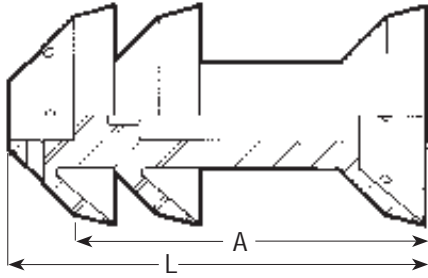
■ **Brush Cleaning Pig**  
2CC-BR, 10" to 14"



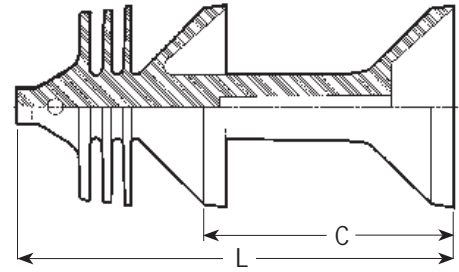
■ **Brush Cleaning Pig**  
3D2CC-BR, 10" to 14"

Size	A	Dimensions All Types			L-Batching	L-Cleaning	Allowable ID Variations	
		B	C	L-(3D2CC)			minimum	

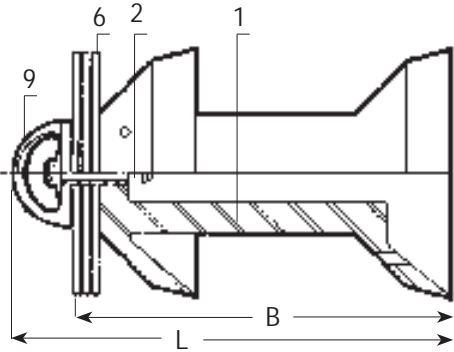
Dimensions and Parts



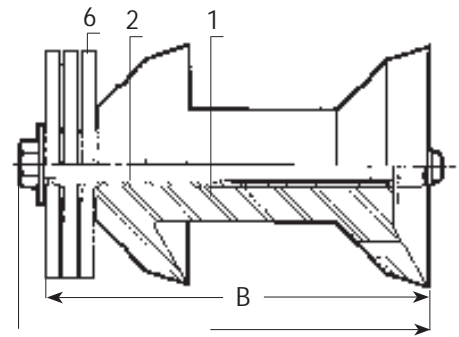
Batching Displacement 2" through 14"  
One-Piece Urethane Type 3CC-B



Batching Displacement 4" through 14"  
Type 3D2CC-B



Cleaning Pig 6" and 8"  
Type 2CC-BR



Cleaning Pig 2" and 4"  
Type 2CC-BR

Cleaning Pig + Brushes 10" and 14"  
Type 2CC-BR

Cleaning Pig + Blades 10" and 14"  
Type 2CC-BL

## Specifications

### VANTAGE<sup>+</sup> Pigs Will Traverse:

Nominal Size		2CC-BR		Cleaning		Batching		2CC-BR, 2CC-BL & 3CC-B			
		2CC-BL		2CC-BL & 2CC-BR		3CC-B		Cleaning		Batching	
Min. Bend Radius		Max. Gate Valve Seat Ring Spacing		Max. Gate Valve Seat Ring Spacing		Max. Check Valve Length of Bowl		Max. Check Valve Length of Bowl		Max. Check Valve Length of Bowl	
Inches	mm	Inches	mm	Inches	mm	Inches	mm	Inches	mm	Inches	mm
2	50	3	75	1-1/8	29	1-1/8	29	2-1/8	55	3	75
3	75	4-1/2	114	1-5/8	41	1-5/8	41	3-3/16	82	4-1/2	114
4	100	6	150	2-1/4	57	2-1/8	54	4-3/8	112	6	150
6	150	9	229	3	76	3-3/8	86	6-3/8	164	9	229
8	200	12	300	3-1/2	89	4-1/4	108	8-3/4	225	12	300
10	250	15	381	8-5/8	219	4-1/4	108	11-13/16	304	15	381
12	300	18	457	9-9/16	243	4-7/8	124	14-1/4	366	18	