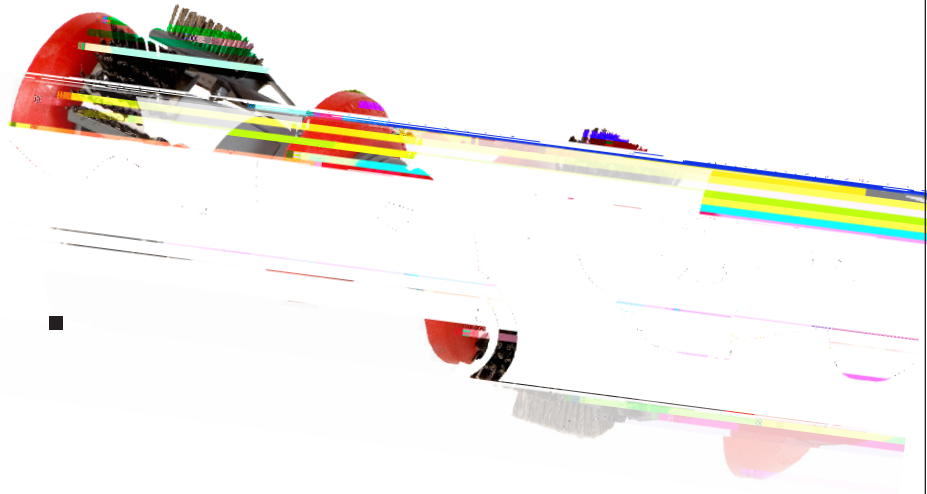


WCK Cleaning Pigs

Sizes: 6- to 14-inch

Bulletin No:
Version: 10.2021
Supersedes: 3000.002.03 (05.2010)



Contamination buildup increases resistance to flow, which decreases pipeline efficiency. WCK Cleaning Pigs are used to improve and maintain all types of pipelines by removing contaminants and deposits in the pipe. Dual-diameter (DD) WCK Pigs clean multiple sizes of pipe in one run. Both types have tempered steel springs that force the brushes against the pipe and flex inward to avoid obstructions.

WCK Pigs come equipped with tempered steel wire brushes and urethane cups. The dual diameter WCK Pigs for cleaning multiple sizes of pipe are equipped with steel wire brushes and discs. An outlet port at the front end of the WCK Pigs provides fluid bypass to prevent piling of loosened material. For severe deposits, extra bypass holes can be drilled through the cups.

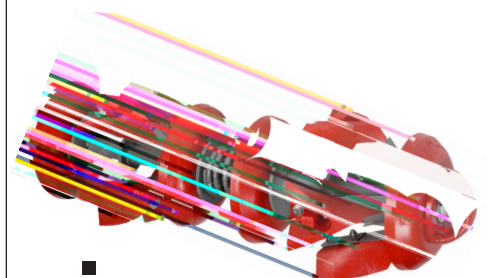
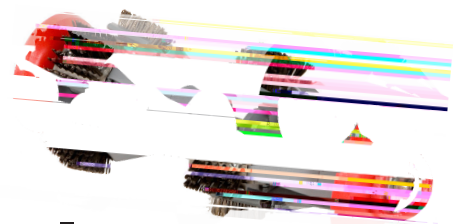
WCK Cleaning Pigs are built with TDW's urethane scraper cups or discs, which are made of liquid-cast urethane, a high-strength, tough elastomer. Advantages of urethane cups and discs include minimum swelling, exceptional resistance to hydrocarbons, lightweight, reduced blistering, and increased abrasion resistance.

WCK-DD Pigs are built with a collapsible urethane disk. Both types of pigs are built with TDW steel wire brushes, made from high-carbon, tempered steel. Cups and discs operate in temperatures ranging from -20°F to 200°F (-29°C to 93°C).

WCK-12 and WCK-3 Pigs are available in sizes 6" (150 mm) to 14" (350 mm). WCK-12DD and WCK-3DD Pigs are available in sizes 6" x 8" (150 mm x 200 mm) to 14" x 16" (350 mm x 400 mm).

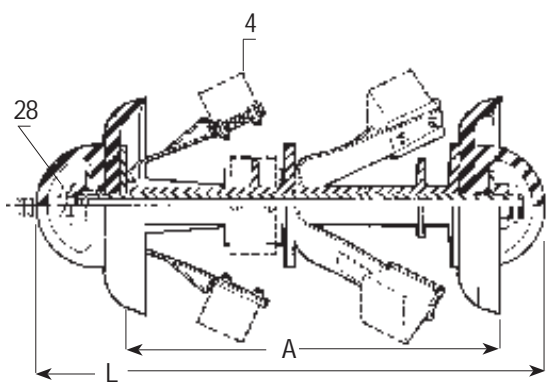
WCK Pigs are available with heavy duty type urethane scraper cups. Cups and discs are available in Buna-N, Neoprene and Viton. Urethane plow blades are available in place of wire brushes.

To help you obtain the proper pig for your application, check to see if the selection is capable of traversing your particular pipeline components (bends, valves, tees, etc.).





Pig Size		maximum gate valve seat ring spacing		maximum check valve length of bowl	
Inches	mm	WCK-12	WCK-3	WCK-12DD	WCK-3DD





T.D. Williamson

3000.002.04 - p6